

# Data Sheet

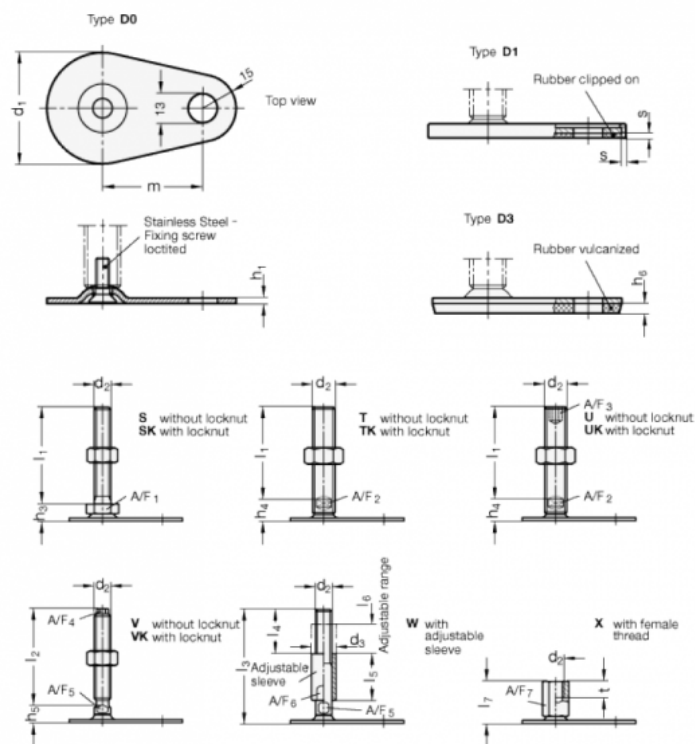


Article number: 204360M1080D3S

Description: E+G levelling foot  
GN 43-60-M10-80-D3-S

Note: S Without nut, External hexagon at the bottom

## Measures



A/F1 = 17

d1 = 60

d2 = M10

h1 = 2.5

h3 = 11

h6 = 4.5

l1 = 80

m = 50

s =